

KE



STATIONARY AWNINGS

KE THE RIGHT CHOICE

SEVEN IMPORTANT REASONS TO CHOOSE KE



KE

KE's experience and strong organization makes us an industry leader in outdoor shading products. KE is part of the BAT GROUP, a multi-national company with sales in 76 countries. This guarantees excellent synergy between innovation, expertise, and choice of materials. KE is always investing in research, product development and employee education in order to improve our products and provide elegant solutions for our customers.



DESIGN AND CUSTOMIZATION

KE products are custom manufactured to meet your specific requirements.



INSTALLATION AND SERVICE

KE makes it easy with our 500 affiliates across the US to provide expert guidance, installation and service.



ITALIAN DESIGN

KE products are beautifully designed in Italy by engineers and designers with decades of experience in the outdoor living space industry.



MANUFACTURING

Three US production facilities and a total of 9 worldwide ensure that KE can meet all of your requirements for high quality customized shading solutions.



INNOVATION

All KE shading systems are born from innovative, creative ideas that offer the perfect balance in design and functionality. KE proudly holds 36 patents for our designs.



QUALITY

KE assures you a quality experience. We have earned multiple worldwide certifications for quality, including CE EN 13561, EN 10901, ISO 9001, ISO 18001 and ISO 14001.

KE ENJOY THE OUTDOORS

EXPAND YOUR WORLD

LIVE THE OUTDOORS

Create an eye-catching look for your home or business while increasing enjoyable living space or improving the working environment for your business.

A KE stationary awning provides protection from hot sun, rain, and harmful UV rays that not only cause sunburn or disturbing glare, but can also prematurely fade carpets, furniture and interior décor.

Expand your living or working space and stay outside longer day or night, from early spring through late fall. Available features such as side wall enclosures and LED lighting, a stationary awning can add hours to days and weeks to your seasons.

Stationary awnings can improve the attractiveness of your business or the value of your home. Consider a KE stationary awning solution for your custom needs.



DESIGN AND FUNCTIONALITY...

CREATING THE PERFECT OUTDOOR ENVIRONMENT FOR YOU, FAMILY, AND FRIENDS TO ENJOY

An extra living space that everyone will enjoy. Transform your deck, patio or terrace into everyone's favorite space in your home. Enhance your home's traditional appearance by installing a stationary awning and gain valuable outdoor space for relaxing, entertaining, dining and staying cool on hot summer days.

From inside the home, stationary awnings help reduce sun glare and heat build-up from solar radiation which helps reduce cooling costs. Versatile and beautiful, KE awnings are custom-crafted and professionally installed to create a cool, natural extension to your personal style and your comfortable home.

ENJOY THE OUTDOORS!



DESIGN AND FUNCTIONALITY



WATER RESISTANT

Stationary awnings are water resistant and designed for use in the seasonal weather conditions specified



EASY CARE

Durable construction and weather resistant materials provide for a lasting low maintenance product life



ELEGANT DESIGN

Elegant design options create the best possible profile to match your style and functional needs



WIND RESISTANT

Stationary awnings provide a durable solution for shade and protection from the elements



INSTALLATION

KE products are professionally installed and guaranteed to provide years of reliable service



FABRICS

A wide selection of weatherproof fabrics is available to suit your needs



WEATHERMASTER



LIMITLESS



20 FT



90 MPH



40 PSF

LEARN
MORE



The WeatherMaster is a deck or patio canopy that is designed to be laced onto a non-welded frame. This design allows for the removal and storage of the cover during the winter months. The WeatherMaster can be used for covering small deck areas as well as large outside dining/entertaining spaces such as a restaurant, cafe or club house patio. The canopy can be installed from a wall surface or installed directly under an eave or soffit. If the projection is such that it does not allow for enough slope, the awning can be designed to mount on the roof of a building. The front projection of the canopy is supported by posts placed approximately every eight feet. Additional rafter lace bands are strategically placed to help keep the cover secure and in place.

Your KE Affiliate can provide numerous fabric and valance style options at time of order. Installation location must be specified at time of order to assure proper snow and/or wind rating construction.

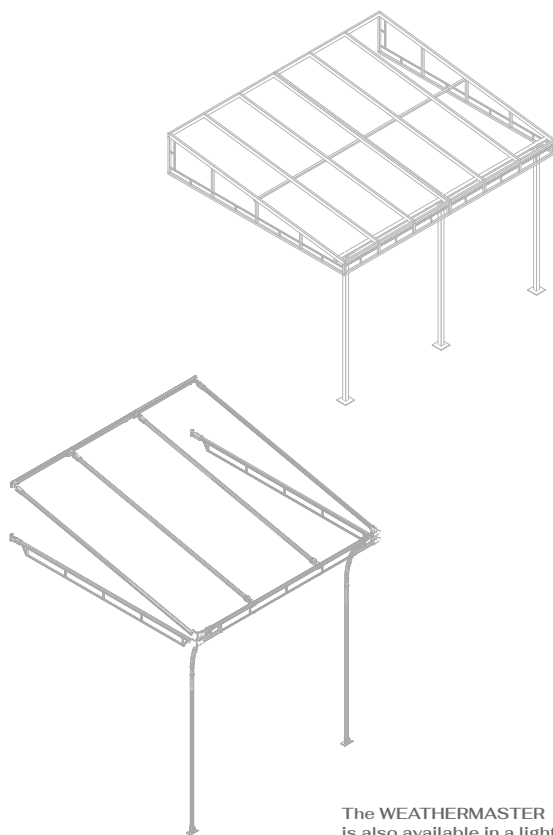


WELDED WEATHERMASTER

The stationary deck canopy is a versatile awning used for sun and rain protection. The frame is designed to withstand normal rainy and windy weather conditions. The frames can be designed to meet most higher wind areas, however, the building and ground attachments will play a major role in how well the awning will hold up under extreme conditions. The fabric is generally attached at the top with a molding with awning rail extrusion profile (T5).

This rail also has an attachment for finger clips (these attach fabric to rail) and rafter jaws (holds rafters to rail). The fabric cover is then laced on the frame and pulled tight. It often takes two to three adjustments to assure a tight fitting cover. Cotton rope is the preferred awning line, because it does not stretch and will shrink a bit, which will help maintain the tightness of the fabric.

A stationary deck canopy can be made to almost any size—the only major factor to consider is the amount of pitch allowed for the projection. An awning with a twelve foot or smaller projection should have a two foot drop. Awnings ranging from thirteen to twenty feet should have no less than a three foot drop. When awnings are over twenty feet in projection additional consideration needs to be given to wind loads, live loads, building materials, ground mounting, surface, and location. Version to be specified at time of order.



The WEATHERMASTER is also available in a light round tube construction for a three season solution.



FABRIC SHEDS



LIMITLESS



5 FT

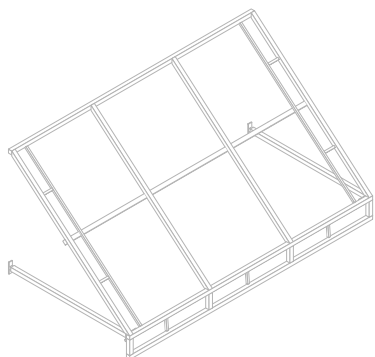


90 MPH



40 PSF

LEARN
MORE



The shed awning has stood the test of time and remains the awning of choice for restaurants, stores and businesses. This awning provides protection from direct sun exposure to furnishings and inventory and can eliminating heat buildup and damage to window displays. The shed awning can be used to create a band of awnings over windows and doors or complete facades. With the addition of graphics this treatment provides a unique business identity with color, shape and style. Your KE Affiliate can provide various fabric & graphic options and valance styles at time of order. Location must be specified at time of order to assure proper combination of snow and wind load construction.

Custom fabric colors are available. The standard aluminum structure is sold without paint, however it can be powder coated as an option with one of our standard colors. Custom colors are also available



BAHAMA STYLE ALUMINUM SHUTTERS



20 FT



4 FT

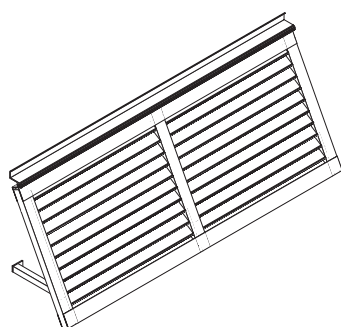


90 MPH



40 PSF

LEARN
MORE



KE Bahama Style Aluminum Shutters are custom manufactured from strong, lightweight aluminum to your exact size and specifications. Each awning is then powder coated using KE's quality-certified process to provide a durable, weather resistant product that provides many years of maintenance-free service.

Protect your home or office from sun glare, driving rain and snow while also allowing excess heat to escape, helping to keep the inside temperature comfortable.

Your KE Affiliate can provide standard color options with custom colors available, at time of order. Location must be specified at time of order to assure proper combination of snow and wind load construction.



STANDING SEAM ALUMINUM SHEDS



LIMITLESS



5 FT

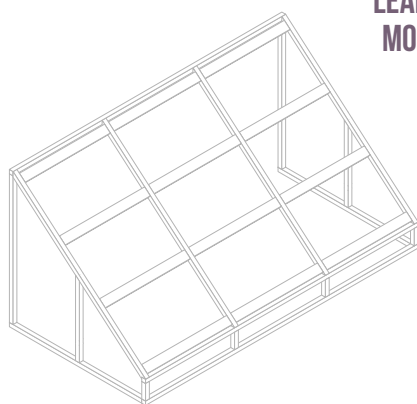


90 MPH



40 PSF

LEARN
MORE



KE Standing Seam Shed Awnings offer a strong, attractive, architectural element and durable solution to your shading needs. Welded from structural aluminum, each KE awning is custom manufactured to meet your exact specifications.

Available in KE standard colors or any custom color you require, our quality certified powder coating process ensures a durable and maintenance-free finish for years of reliable service. KE awnings can help control cooling costs by reducing solar heat build-up and add a unique, welcoming identity to your building. Location must be specified at time of order to assure proper combination of snow and wind load construction.



AMERICAN CLASSIC



15 FT



3 FT



90 MPH



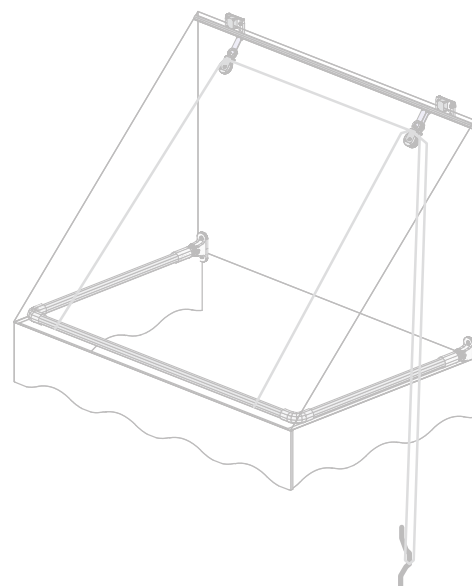
40 PSF

LEARN MORE



The American Classic is a non-welded traditional style awning used on both homes and businesses. It is simply hung from the window casing. They can be provided with rope and pulleys to allow for retracting the awning or they can be made to remain stationary. These awnings have been used to protect storefront windows from the elements for decades and have recently gained popularity for the restoration of older buildings. Traditional type awnings can even create a nostalgic feeling of warmth and comfort to newer homes and businesses.

The traditional window awning is a simple awning design commonly used on homes to provide shade for windows in summer months. Although this awning can be retracted with a rope and pulley system, it is recommended that for winter months that the awning be removed and stored carefully. Your KE Affiliate can provide various fabric options and valance styles at time of order. Location must be specified at time of order to assure proper combination of snow and wind load construction.



DOME



10 FT



5 FT

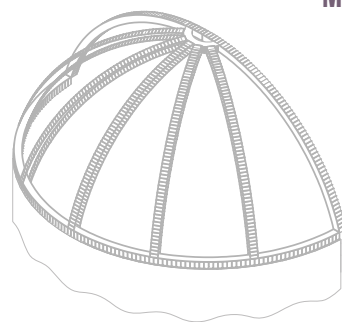


90 MPH



40 PSF

LEARN
MORE



The dome awning is an elegant addition to any home, business or restaurant. The finest establishments in the United States have used dome awnings to create a bold design statement and accent over doors and windows. This awning is a beautiful yet functional addition to any facade and, with the addition of a rigid or loose valance, can easily accommodate graphics for business identity .

To size this style awning for a client, the dome is designed to be half as high as it is wide and then a valance area is added as either a rigid or loose valance.

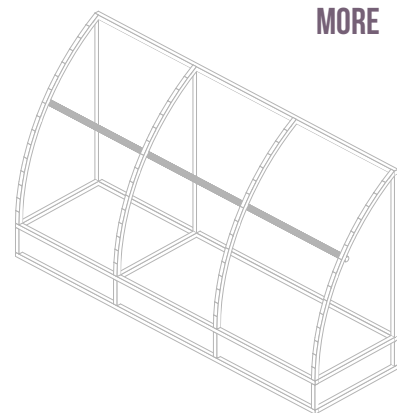
Your KE Affiliate can provide various fabric & graphic options and valance styles at time of order. Location must be specified at time of order to assure proper combination of snow and wind load construction.



WATERFALL



LEARN MORE 



The smooth curve of the waterfall awning can soften the hard lines of a building facade while adding the weather protection awnings are famous for. The optional rigid valance of this awning allows for maximum logo or text application. When placed over a band of windows or entrance, graphics added to the waterfall awning can be just the advertisement needed to entice that next customer to walk through the door. The addition of backlighting or downlighting can also provide safety as well as highlight a business entrance or window display.

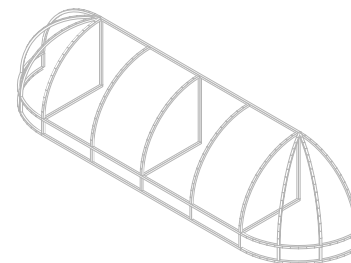
Location must be specified at time of order to assure proper combination of snow and wind load construction.



WATERFALL WITH DOME ENDS



LEARN MORE 



The waterfall with dome ends is a smooth curve unit that creates more coverage and blends the two styles of waterfall and dome without adding to the expense of having to upgrade to a custom awning. The optional rigid valance can easily accommodate extensive graphic text and logos for business or store identities. The waterfall with dome ends accents entrances and windows as well as protects customers from rain and snow. It is useful for blocking the sun's direct light and lowering radiant heat absorption. In addition this awning may reduce monthly air conditioning bills and prevent unnecessary replacement costs of faded carpet, drapes, furniture or display merchandise.

Location must be specified at time of order to assure proper combination of snow and wind load construction.



A-FRAME ENTRANCE CANOPY



20 FT



LIMITLESS



90 MPH



40 PSF

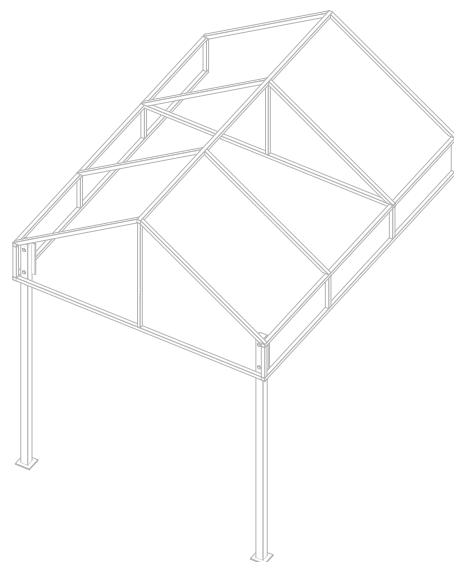
LEARN
MORE



The A-Frame canopy is perfect for creating or identifying the entrance to a restaurant, hotel or retail business. This awning protects customers by diverting rain and snow to the sides of the walkway. The face of the A-Frame is a perfect area to add a colorful logo or words of welcome to clientele. The optional rigid valance can easily accommodate additional text for business or store identity.

The height of this awning is usually sized to complement the building style and shape. It can be a very small slope in southern environments to a steep slope to shed snow in the northern areas. Posts are added for additional support if the awning projects more than five feet. The A-Frame canopy can also be used as free standing units for when wall attachment is not available (additional stanchions required).

Location must be specified at time of order to assure proper combination of snow and wind load construction.



ARCH ENTRANCE CANOPY



20 FT



LIMITLESS



90 MPH



40 PSF

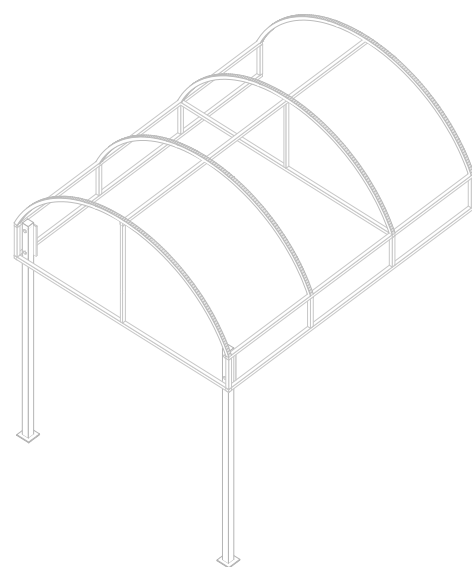
LEARN
MORE



When the protection of an entrance awning is required but a different profile is desired the Arch Entrance is an excellent option. As with the A-Frame awning, this awning protects customers by diverting rain and snow to the sides of the walkway. The face can also accommodate a large colorful logo or additional text. The optional rigid valance can provide additional surface for menu items, product lines or words of welcome.

The height of this awning is usually sized to complement the building style and shape. Posts are added for additional support if the awning projects more than four feet. The Arch entrance canopy can also be used as free standing units for when wall attachment is not available (additional stanchions required).

Location must be specified at time of order to assure proper combination of snow and wind load construction.



RECOVERS

Awning fabric will normally last from 10-15 years depending on your location and with proper maintenance and care. In addition, they can be industrially cleaned by your KE affiliate. Nevertheless, we recognize that replacing covers on existing awnings may be necessary. KE USA is ready to manufacture a custom fabric recover for your home or business. To ensure the proper fit of a recover, it is critical that all of the existing frame details are measured and communicated. Previous work orders, old drawings, old covers and frame patterns can provide useful information in manufacturing a recover. Please contact your local KE affiliate for proper sizing.

Sending us the old cover can be helpful, however, it alone does not provide us with all the information that is needed. The condition of the fabric can greatly impact our ability to reproduce the cover. We cannot assure the fit quality of a cover without all of the requested information.

Recover for Standard American Classics, WeatherMasters, Sheds & A-Frame Awnings – In general, manufacturing recovers only requires accurate frame and cover measurements. Having no curved frame surfaces, the complexity of the recover is significantly less than a waterfall or a dome style structure. By completely filling out the appropriate recover order form (available from an authorized KE Affiliate), our production staff will have no trouble fulfilling the requirements of your order. Any additional information you have available (i.e. an old work order, a drawing, etc.) may prove useful and we encourage you to submit it with your order.



WEATHERMASTER RECOVER MEASURING GUIDE

Because deck canopies have been around for so long, there are many different types to recover. To keep it simple, always remember to measure the frame and not the fabric. The following steps will guide in successfully measuring a deck canopy for recovering:

1. Measure from the top of the headrod to the deck. **Diagram 1**
2. Measure from the top of the headrod to the center of the return arm at the building attachment. Insure that the return arm is level. This will be the **RETURN ARM DROP. Diagram 1**
3. From the same attachment location as 2 above (building & return arm), measure from the building to the front of the front bar. This will be the **PROJECTION. Diagram 1**
4. Measure from the top of the front bar to the deck. (This measurement subtracted by the measurement for #1 will provide the drop measurement for #2 even if there are no wings. **Diagram 1**
5. The width should then be measured (a fabric clamp to hold the tape measurer is helpful).
6. Measure both the front bar and the headrod areas to insure both are the same **WIDTH. Diagram 1**
7. A diagonal measurement should be taken from one corner at the headrod to the opposite front corner of the front bar to insure the frame is square. This should be done in both directions.
8. Measure the rafter length (if the old fabric is on the frame, measuring will be easier). Slide the tape measurer up the cloth and attach to the headrod. Pull the tape tight over the front bar following a rafter. The furthest distance out on the front bar is the final **RAFTER MEASUREMENT. Diagram 1.**
9. Most covers require at least one rafter lace band. To measure for these, please refer to Lace Band Measuring Appendix A on the following page.
10. Fabric attachment is a critical area. This is how the cover is attached to the existing frame. As there are many frame designs and styles, we have included a page that outlines the most popular types. Please refer to our fabric options to determine what style you have.

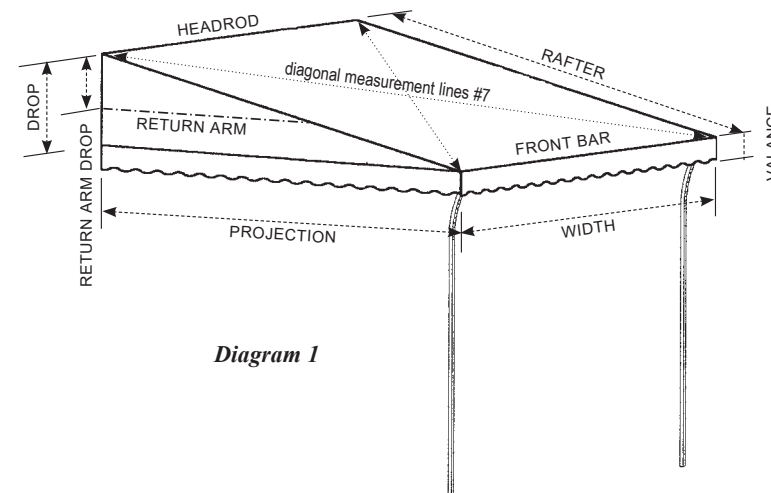


Diagram 1

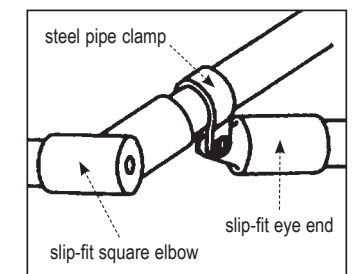


Diagram 2

AMERICAN CLASSIC RECOVER MEASURING GUIDE

TRADITIONAL – Recovers require careful thought while measuring. The newer awnings are easier to measure than the old style with the nut tips through a grommet. In both cases:

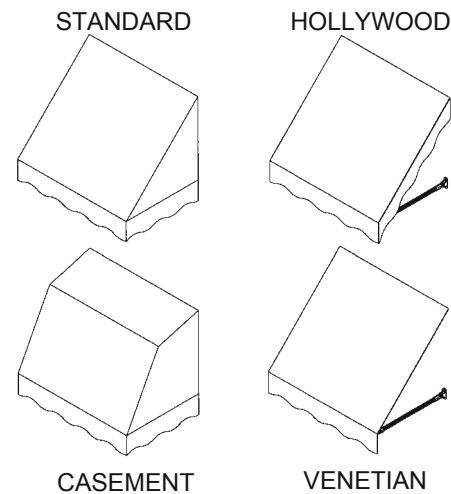
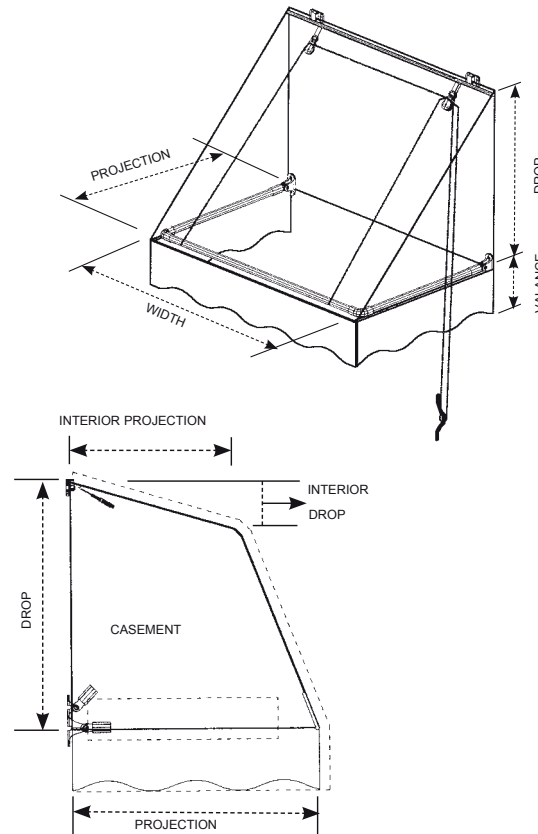
1. The width should be measured at both the headrod area as well as the front bar.
2. The drop can be measured by hooking the tape on top of the headrod and measured to the center of the camel back. Make sure this arm is level to assure an accurate measurement.
3. The projection should be measured from the start of the camel back to the front of the front bar.

NOTE: All measurements should be taken to the outside of the frame. Also, to allow for the awning frame to fully retract the drop must equal the projection.

Older Style Traditionals: The older style awnings will need the additional measurement from the center of the nut tips across the front of the awning.

CASEMENT – Casement recovers should be avoided without the old fabric as a pattern. Please use the same measuring methods as for a traditional awning recover but also send the old cover as a pattern along with the order form.

Note: Upon installation the return arm should be centered in the pocket to allow for retraction.



VALANCE SCALLOP SELECTION CHART

This chart is to be used when ordering any awning style requiring a loose valance as well as ordering valances separately. We can match all KE USA retractable valances. Valance charges are based on seamed goods. Railroaded or single piece valances may result in up charges.

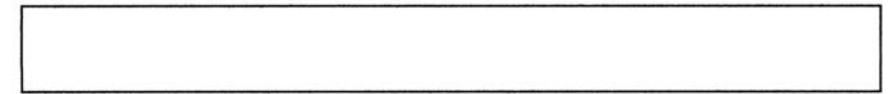
1" WAVE



2" WAVE



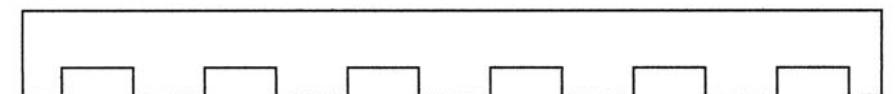
STRAIGHT



EUROPEAN



GREEK KEY



CLASSIC



CURTAINS / PANELS

The curtain panel is a product that helps to enclose an awning or canopy and add additional shielding from the weather.



There are four basic styles offered:

1. **ROLL CURTAINS:** are used for areas that need to have a retractable curtain. Includes pulley and bottom rod. Rope not included for 3/16" cotton.
2. **FABRIC PANELS:** are used mostly for commercial applications and are installed in between the support posts.
3. **WELDED CURTAIN PANEL**
4. **CUSTOM CURTAINS:** inclusion of zippers, clips or foot loops, windows and turnsnaps to standard roll curtains.



Options:

1. Addition of clear vinyl or mesh fabric to roll curtain or fabric panel.
2. Addition of grommets or turnsnaps. Two rows are allowed.



EXTERIOR SOLAR SCREENS

Exterior screens are an attractive and functional addition to your home or office space and enhance your decor.



With an incredible array of custom configurations designed to integrate with your architecture and personal style, KE solar screens provide comfort and added value to your living or working environment. Motorized performance and touch-button automation features are available. Perfect for windows, patio sliders, sun-rooms, offices, conference rooms, media rooms and more.

Profiles are made of extruded, powder coated aluminum with corrosion resistant stainless steel components, and are available as an open roller (CS0) or as an enclosed box, in widths of 4", 5", or 6" cassette (CS4, CS5, CS6). Standard colors include white, sand, brown, and charcoal, with custom colors available at an up-charge.

Screens help control up to 99% of the sun's harmful UV rays, helping to protect skin and eyes, reduce glare and increase daytime privacy. Screens also help to reduce fading and destruction of drapes, furnishings, and carpeting.

Choose from premium grade fabrics with a wide array of colors, textures and screen openness options from 50% to 100% total blackout. Screens help to control environmental factors such as solar transmission, absorption, and reflectance, resulting in reduced heating and cooling costs.



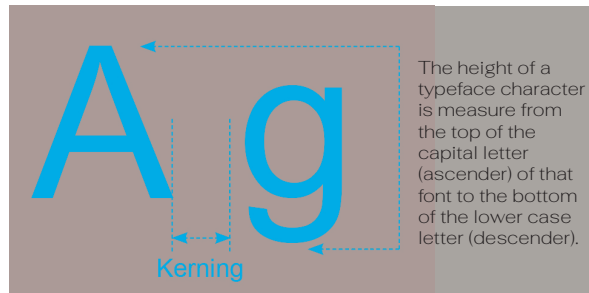
GRAPHIC INFORMATION

FEATURES, INFORMATION, SIZING, AND FILE REQUIREMENTS

Graphics, when applied to an awning, can create an entirely new image for your business. Through advanced technology KE is able to provide complex multi-colored logos and detailed fonts with special effects on your awning. KE has expertise in all phases of graphic design and awning graphics production. From applied opaque and translucent vinyl to the Sunbrella Graphics System (SGS) technology we have the creative professionals and equipment to finish your awning in style.

GENERAL INFORMATION

1. **Typestyle, Typeface, or Font** – There are hundreds of typestyles from which to choose from. A typestyle or font is the way the text character appears. There are serif and sanserif fonts, and fonts that have a different weight and slant – Normal, Italic, Bold, and Bold Italic, just to name a few. Customers are encouraged to supply fonts when available. Special kerning (spaces between the letters) can also be accommodated.
2. **Type Size** – There are three things to consider to determine the appropriate size of type to apply to an awning:
 - *How much room do you have on the face or valance of the awning?* A general rule is that a six inch high letter needs six inches in width per character.
 - *How many square feet of signage will the town or city allow?* In many locations, graphics or text on awnings is considered signage. Always check the local municipality requirements before ordering graphics.



- *How far is the awning from the traffic or parking?* The further the distance the larger the letter. For example a six inch letter can be read up to 200 feet, and a twelve inch letter can be read up to 500 feet.
3. **Color** – A dark fabric requires a light colored graphic in order to be easily read. The same is true in reverse, a light colored fabric needs a dark colored graphic for visibility. If you want the graphics to be seen at night the most effective graphics are white or a light color that can be illuminated from behind. These letters are then surrounded by a darker color to give contrast and visibility. One can also apply darker translucent graphics to a white or light colored fabric background.
 4. **Cost** – Graphic cost is a direct proportion to the number of letters, the size of the letters, and the application method.

NOTE: A special permit may be required for the location the awning graphics are being requested. Check with your local city or town building department in advance of ordering graphics for a project. Your local KE affiliate is a great resource.

GRAPHICS EXAMPLES



The following is information to help you choose the appropriate awning graphic process.

PRESSURE SENSITIVE VINYL (PSV):

PSV is adhesive backed vinyl graphic images or lettering cut using a CAD cutter. After careful preparation of the PSV, the graphic is adhered to the substrate (such as vinyl fabric, banner fabric, glass, plastic, or various other surfaces). KE can reproduce your vectorized logo or text in cut opaque, translucent or metallic graphics and apply them directly to awnings, banners and displays. Graphic files provided MUST be vector based. Additional costs will be charged in the absence of proper files.

SUNBRELLA GRAPHIC SYSTEM (SGS):

This system is a warranted process used to apply 3M Scotchcal ElectroCut opaque films to solution dyed acrylic fabrics. Opaque vinyl is adhered to acrylic fabric using a combination of heat and vacuum mounting. SGS insures consistent crisp color and extensive creative flexibility.

DIGITAL PRINTING: Digital printing is a process by which graphics can be printed onto specially treated fabrics or on a adhesive substrate to achieve full-color photographic results. These images are the longest lasting images on the market. Logos and art produced using the digital process can also be applied to vinyl fabric, prepared signboards, and many other surfaces.



BEYOND THE PRODUCT

40 years Experience in custom awning manufacturing to tackle the most complex projects

Standard **Pre-engineered** Products

Turn Key Service: Estimating, Custom Engineering, Graphics, CAD Design & Rendering, Project Management

Engineering & Permitting support in 50 States

Customer Service: A reliable, experienced team guiding you through the entire process

Continuous customer collaboration to define the best product for the best price

Ability to **integrate stationary & motorized products** to cover complex project designs

State of the Art **Production & Powder Coating** Facility

THE KE PROMISE

WE WILL DO EVERYTHING IN OUR POWER TO HELP YOU REALIZE YOUR CUSTOM AWNING VISION

To **CHOOSE** one of our exceptional products

To Deliver **YOU** exceptional quality in product customization and personalized service

To make **YOUR** outdoor living or working space the most enjoyably and desirable space in your home or business



<p>50/50</p> <p>Perfect balance between Italian design and reliable functionality</p> 	<p>350</p> <p>Years accumulated engineering expertise</p> 	<p>27,867</p> <p>Residential Products Installed Annually</p> 
<p>The Right Choice</p> 	<p>44</p> <p>Years defining residential shading solutions</p> 	<p>2,336</p> <p>Hours employee professional development (annually)</p> 
<p>3 Manufacturing facilities in the United States</p>	<p>9 Facilities globally</p> 	<p>500</p> <p>US dealers</p> 
<p>Industry-leading quality through vertical integration from foundry to production to installation</p> 	<p>76</p> <p>Countries (products sold in)</p> 	<p>36</p> <p>Registered Patents</p> 
<p>144,000 sq ft US Manufacturing</p>  <p>1,146,000 sq ft Global Manufacturing serving US Demand</p>	<p>1,700 lbs of Powdered Paint Applied Daily</p>  <p>17.0 Tons aluminum profiles processed daily</p>	



KEOUTDOORDESIGN.US

KE USA, Inc.

445 Bellvale Road
Chester, NY 10918
888-387-2765
845-610-1100

KE USA, Inc. California Division

22220 Opportunity Way, Suite 104
Riverside, CA 92518
844-387-2765

KE USA, Inc. Commercial Division

38 Pond Lane, Suite B
Middlebury, VT 05753
802-388-7309

